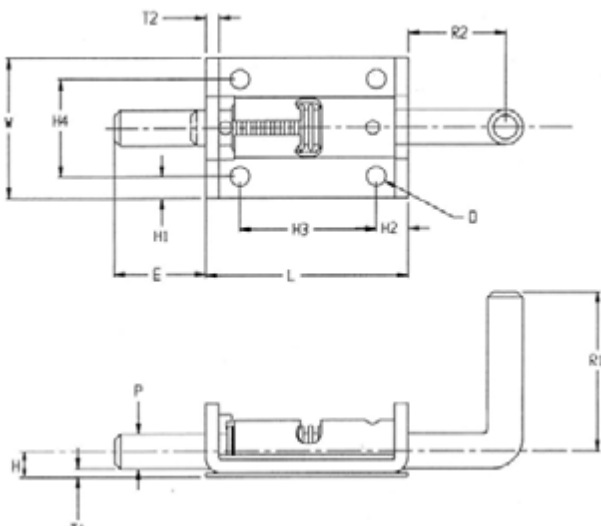


LATCHES

Spring • Heavy Duty Spring • Slam • Lock

Heavy Duty Lock Latch Series 779

Design locks open and locks closed



The 779 Series spring latch features a 1/2" pin diameter and a closed knuckle for added durability and strength.

A unique feature of this part is its cover plate which enables the latch to lock open or lock closed.

PIN

P	Pin Diameter	.500
*	E Extension	1.312

BODY

*	L Length	2.88
	W Width	2.00
	T1 Thickness	.120
	T2 Thickness	.140
	R1 Handle Lenth	2.25
	R2 Handle Extension	1.38
	H Height	.375
	H1 Hole Location	.31
	H2 Hole Location	.450
	H3 Hole Location	1.937
	H4 Hole Location	1.380
*	D Hole Diameter	.270

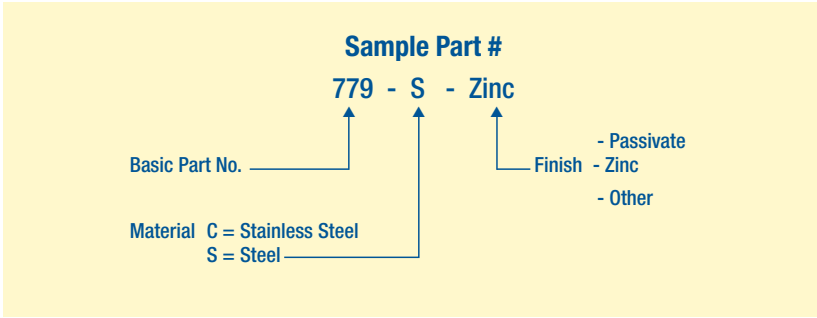
MATERIAL

Designation: C = Stainless S = Steel

FINISH

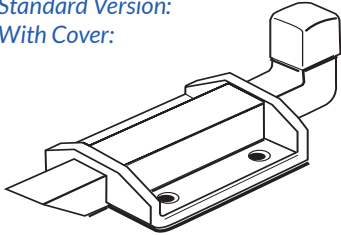
Most commercial finishes are available, including zinc plate on steel, and passivate or electropolishing on stainless steel.

ORDERING INFORMATION

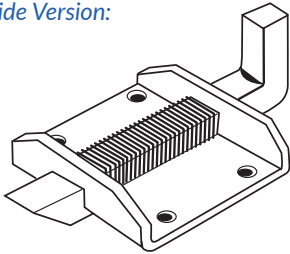


Slam Latches 707-709 Series

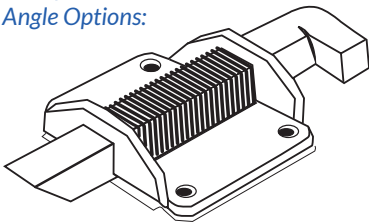
Standard Version:
With Cover:



Wide Version:



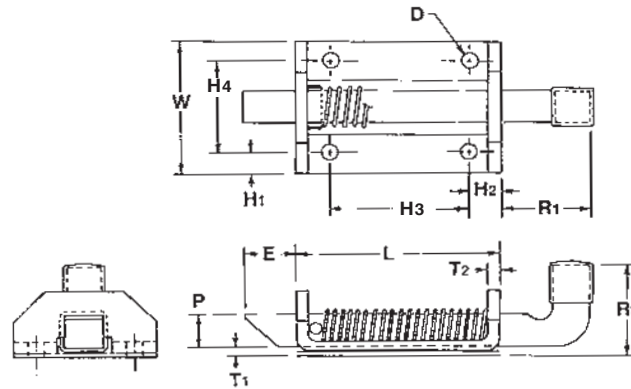
Multiple Handle
Angle Options:



This rugged slam latch is ideal for applications that require a quick and effortless locking mechanism, such as truck and trailer doors, drawers and tailgates, as well as medical and farm equipment.

To engage simply "slam" the door shut. The spring-loaded pin is square with an angled edge that smoothly retracts as it engages with the keeper and then extends back into place in a locked position. To release, grip the handle and pull back.

Available in 3 sizes: 7/16", 3/8" and 1/2" pins



SLAM-LATCH PART NUMBERS

	707	708	708W	709	709W
PIN					
P Pin Size	.375	.437	.437	.500	.500
* E Extension	.562	.750	.750	.750	.750
R1 Handle Length	.812	1.000	1.00	1.250	1.25
R3 Handle Extension	1.000	1.250	1.25	1.375	1.38
BODY					
L Length	1.500	2.000	2.00	2.875	2.875
* W Width	1.250	1.625	2.19	2.000	2.66
T1 Thickness	.090	.125	.125	.190	.190
T2 Thickness	.090	.120	.125	.190	.187
* H1 Hole Location	.187	.250	.250	.312	.300
* H2 Hole Location	.375	.375	.38	.468	.47
H3 Hole Location	.750	1.250	1.250	1.937	1.937
H4 Hole Location	.875	1.125	1.687	1.375	2.060
* D Hole Diameter	.171	.203	.203	.265	.265

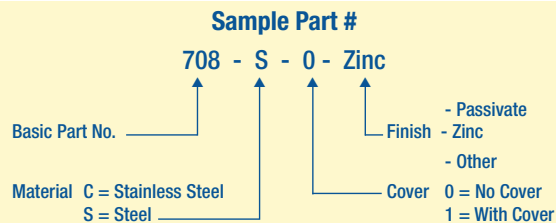
MATERIAL

C = Stainless S = Steel

FINISH

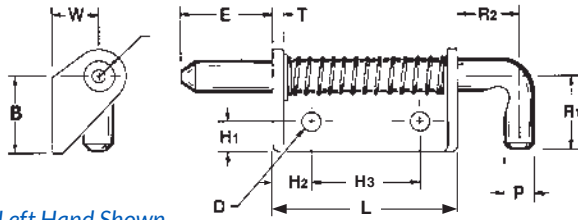
Most commercial finishes are available, including zinc plate on steel, passivate and electropolishing on stainless steel.

ORDERING INFORMATION



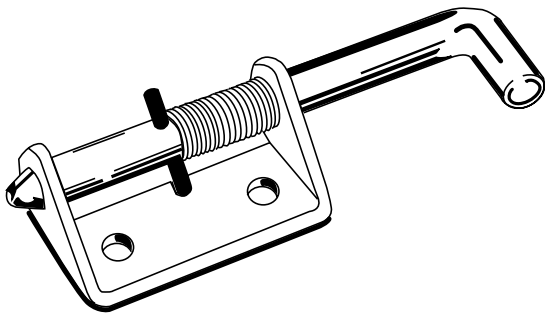
Special forms, offsets, hole sizes or welding projections are available to your specifications.
*Designates dimensions can be altered to meet your specifications.

Heavy Duty Spring Latch Series 719-720

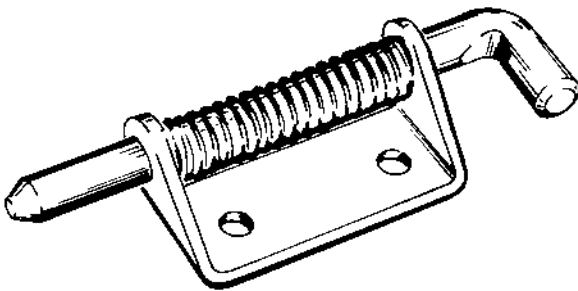


Left Hand Shown

WITH HOLDBACK:



WITHOUT HOLDBACK:



The heavy-duty 719-720 Series spring latches are available in 3/8" and 1/2" pin diameters, respectively. These large, rugged latches are available in steel or stainless steel and have a closed knuckle for added durability and strength. They are ideally suited for truck bodies, utility vehicles, horse trailers and more. The offset body design provides more flexibility with placement on tight applications.

PART NUMBERS

PIN		719	720
P	Pin Diameter	.375	.500
*	E Extension	1.250	1.500
R1	Handle Extension	1.187	1.218
R2	Handle Extension	.687	1.000
BODY			
L	Length	2.000	3.000
H	Height	.656	.750
W	Width	1.12	1.250
T	Thickness	.125	.187
H1	Hole Location	.375	.500
H2	Hole Location	.437	.625
H3	Hole Location	1.125	1.750
*	D Hole Diameter	.265	.328

MATERIAL

Designation	
C	Stainless
S	Steel

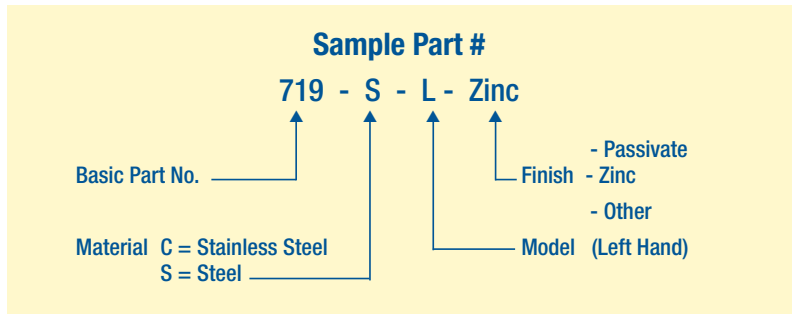
MODEL

R	Right Hand
L	Left Hand
U	Unassembled

FINISH

Most commercial finishes are available, including zinc plate on steel, passivate and electropolishing on stainless steel.

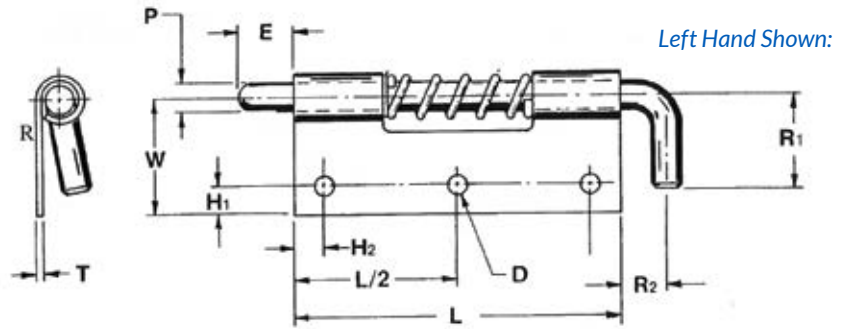
ORDERING INFORMATION



Special forms, offsets, hole sizes or welding projections are available to your specifications.

Extension retracts 1.35", so that it cannot fully retract into body.
* Designates dimensions that can be altered to meet your specifications.

Spring Latch Series Design Specifications

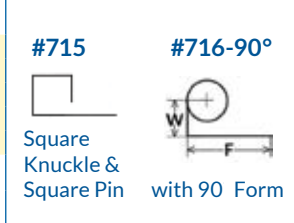


*Designates dimensions that can be altered to meet your specifications.

PART NUMBER	711	712	713	714	715	716	718	723
-------------	-----	-----	-----	-----	-----	-----	-----	-----

PIN		711	712	713	714	715	716	718	723
P	Pin Diameter	.125	.156	.187	.250	.187 SQ	.250	.375	.250
* E	Extension	.187	.250	.375	.500	.250	1.250	1.00	.625
* R1	Handle Length	.437	.625	.687	.812	.750	.810	1.50	.812
* R2	Handle Extension	.187	.250	.312	.375	.875	.380	1.50	.430
BODY		711	712	713	714	715	716	718	723
L	Length	.875	1.375	2.000	2.75	.875	3.50	4.00	2.75
* W	Width	A .375 B .500	.500	.625	.75	.500	.720	1.50	.955
T	Thickness	.040	.040	.050	.060	.050	.060	.080	.090
* H1	Hole Location	.156	.187	.187	.250	.181	.281	.620	.400
* H2	Hole Location	.156	.187	.250	.250	.156	.750	.750	.375
* D	Hole Diameter	.128(2H)	.128(2H)	.128(3H)	.128(3H)	.161(2H)	.203(2H)	.344(2H)	.191(3H)

MATERIAL	Steel	Stainless Steel	Aluminum
Designation	S	C	A
Pin Type	12L14	303	SS
Body	1010	304	5052
Spring	302	302	302
C-Ring	PH15-7 MO	PH15-7 MO	PH15-7 MO



All springs and c-rings are made with stainless steel.

MODEL

R = Right Hand L = Left Hand U = Unassembled

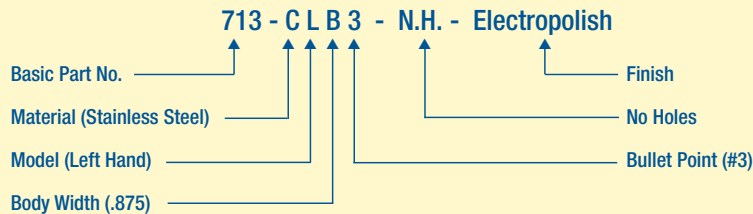
POINT STYLE



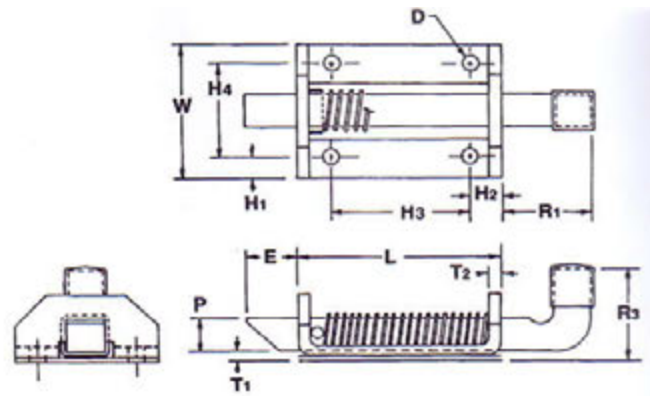
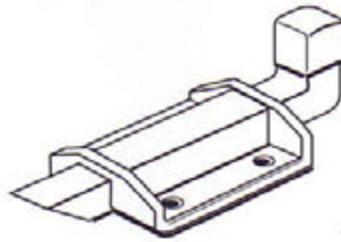
FINISH

Most commercial finishes are available including zinc plate on steel, passivate and electropolishing on stainless steel, and anodize on aluminum.

ORDERING INFORMATION



Slam Latch Series 709



This rugged slam latch is ideal for applications that require a quick and effortless locking mechanism, such as truck and trailer doors, drawers and tailgates, as well as medical equipment and aircraft applications.

To engage simply "slam" the door shut. The spring-loaded pin is square with an angled edge that smoothly retracts as it engages with the keeper and then extends back into place in a locked position. To release, grip the handle and pull back.

Special forms, offsets, hole sizes or welding projections are available to your specifications.

*Designated dimensions can be altered to meet your specifications.

PIN

P	Pin Size	.500
* E	Extension	.750
R1	Handle Length	1.250
R3	Handle Extension	1.375

BODY

L	Length	2.875
* W	Width	2.000
T1	Thickness	.190
T2	Thickness	.190
* H1	Hole Location	.312
* H2	Hole Location	.468
H3	Hole Location	1.930
H4	Hole Location	1.375
* D	Hole Diameter	.265

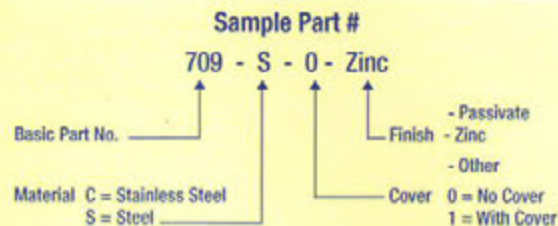
MATERIAL

C = Stainless S = Steel

FINISH

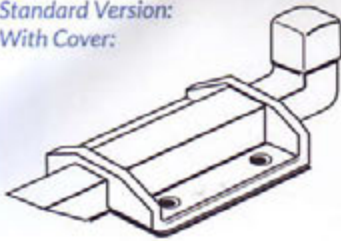
Most commercial finishes are available, including zinc on steel, passivate and electropolishing on stainless steel.

ORDERING INFORMATION

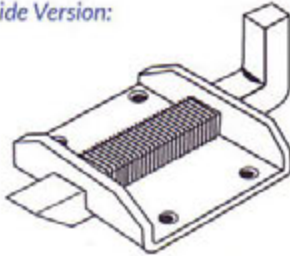


Slam Latches 707-709 Series

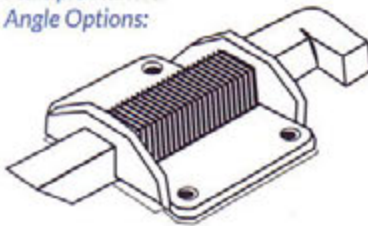
Standard Version:
With Cover:



Wide Version:



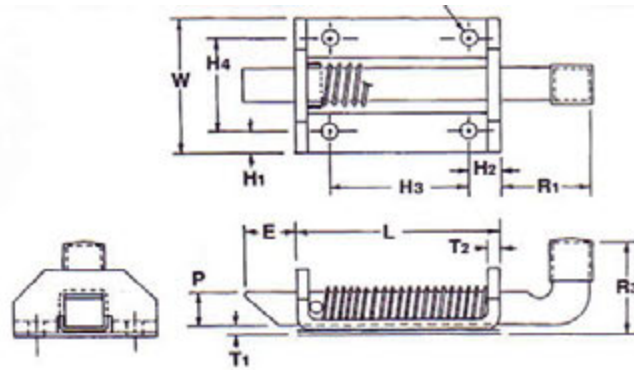
Multiple Handle
Angle Options:



This rugged slam latch is ideal for applications that require a quick and effortless locking mechanism, such as truck and trailer doors, drawers and tailgates, as well as medical and farm equipment.

To engage simply "slam" the door shut. The spring-loaded pin is square with an angled edge that smoothly retracts as it engages with the keeper and then extends back into place in a locked position. To release, grip the handle and pull back.

Available in 3 sizes: 7/16",
3/8" and 1/2" pins



SLAM-LATCH PART NUMBERS

	707	708	708W	709	709W
PIN					
* P Pin Size	.375	.437	.437	.500	.500
* E Extension	.562	.750	.750	.750	.750
R1 Handle Length	.812	1.000	1.00	1.250	1.25
R3 Handle Extension	1.000	1.250	1.25	1.375	1.38
BODY					
L Length	1.500	2.000	2.00	2.875	2.875
* W Width	1.250	1.625	2.19	2.000	2.66
T1 Thickness	.090	.125	.125	.190	.190
T2 Thickness	.090	.120	.125	.190	.187
* H1 Hole Location	.187	.250	.250	.312	.300
* H2 Hole Location	.375	.375	.38	.468	.47
H3 Hole Location	.750	1.250	1.250	1.937	1.937
H4 Hole Location	.875	1.125	1.687	1.375	2.060
* D Hole Diameter	.171	.203	.203	.265	.265

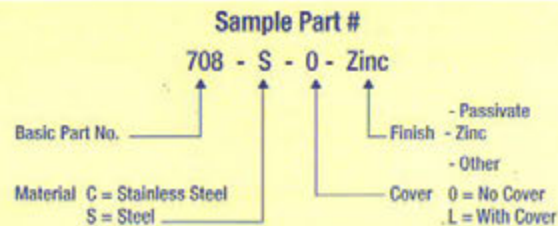
MATERIAL

C = Stainless S = Steel

FINISH

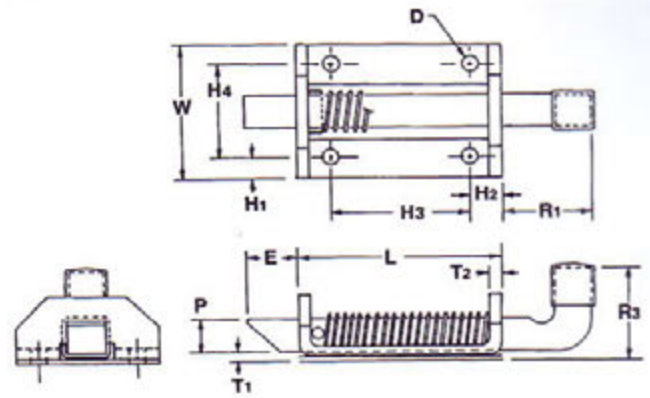
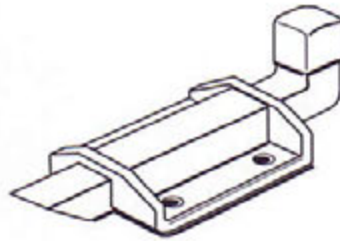
Most commercial finishes are available, including zinc plate on steel, passivate and electropolishing on stainless steel.

ORDERING INFORMATION



Special forms, offsets, hole sizes or welding projections are available to your specifications.
*Designated dimensions can be altered to meet your specifications.

Slam Latch Series 708



This rugged slam latch is ideal for applications that require a quick and effortless locking mechanism, such as truck and trailer doors, drawers and tailgates, as well as medical and farm equipment.

To engage simply "slam" the door shut. The spring-loaded pin is square with an angled edge that smoothly retracts as it engages with the keeper and then extends back into place in a locked position. To release, grip the handle and pull back.

Special forms, offsets, hole sizes or welding projections are available to your specifications.

*Designated dimensions can be altered to meet your specifications.

PIN (01)

P	Pin Size	.437
* E	Extension	.750
R1	Handle Length	1.000
R3	Handle Extension	1.250

BODY (02)

L	Length	2.000
* W	Width	1.625
T1	Thickness	.125
T2	Thickness	.120
* H1	Hole Location	.250
* H2	Hole Location	.375
H3	Hole Location	1.250
H4	Hole Location	1.125
* D	Hole Diameter	.203

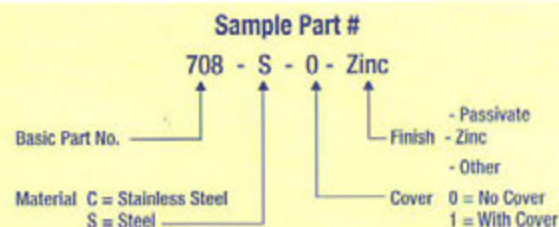
MATERIAL

C = Stainless S = Steel

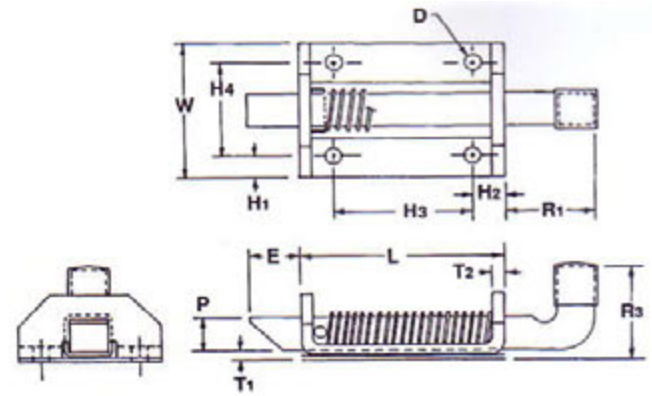
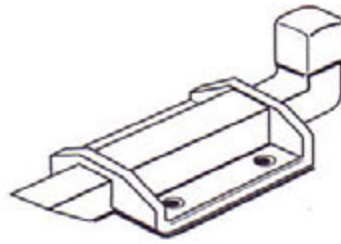
FINISH

Most commercial finishes are available, including zinc on steel, passivate and electropolishing on stainless steel.

ORDERING INFORMATION



Slam Latch Series 707



This rugged slam latch is ideal for applications that require a quick and effortless locking mechanism, such as truck and trailer doors, drawers and tailgates, as well as medical and farm equipment.

To engage simply "slam" the door shut. The spring-loaded pin is square with an angled edge that smoothly retracts as it engages with the keeper and then extends back into place in a locked position. To release, grip the handle and pull back.

Special forms, offsets, hole sizes or welding projections are available to your specifications.

*Designated dimensions can be altered to meet your specifications.

PIN (01)

P	Pin Size	.375
* E	Extension	.562
R1	Handle Length	.812
R3	Handle Extension	1.000

BODY (02)

L	Length	1.500
* W	Width	1.250
T1	Thickness	.090
T2	Thickness	.090
* H1	Hole Location	.187
* H2	Hole Location	.375
H3	Hole Location	.750
H4	Hole Location	.875
* D	Hole Diameter	.171

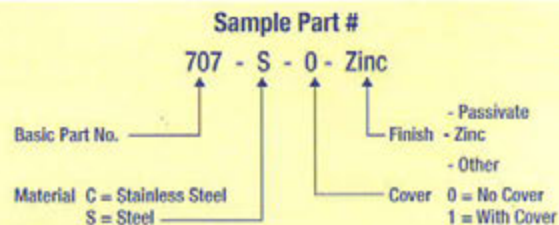
MATERIAL

C = Stainless S = Steel

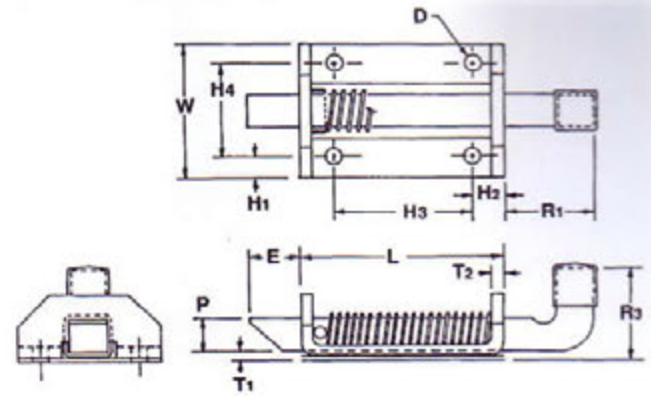
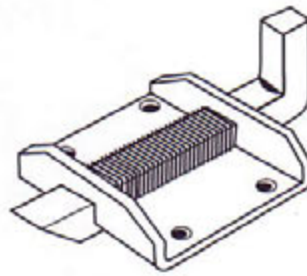
FINISH

Most commercial finishes are available, including zinc on steel, passivate and electropolishing on stainless steel.

ORDERING INFORMATION



Slam Latch - Wide Body Series 709W



This rugged slam latch is ideal for applications that require a quick and effortless locking mechanism, such as truck and trailer doors, drawers and tailgates, as well as medical and farm equipment.

To engage simply "slam" the door shut. The spring-loaded pin is square with an angled edge that smoothly retracts as it engages with the keeper and then extends back into place in a locked position. To release, grip the handle and pull back.

Special forms, offsets, hole sizes or welding projections are available to your specifications.

*Designated dimensions can be altered to meet your specifications.

PIN

P	Pin Size	.500
* E	Extension	.750
R1	Handle Length	1.25
R3	Handle Extension	1.38

BODY

L	Length	2.875
* W	Width	2.66
T1	Thickness	.190
T2	Thickness	.187
* H1	Hole Location	.300
* H2	Hole Location	.47
H3	Hole Location	1.937
H4	Hole Location	2.060
* D	Hole Diameter	.265

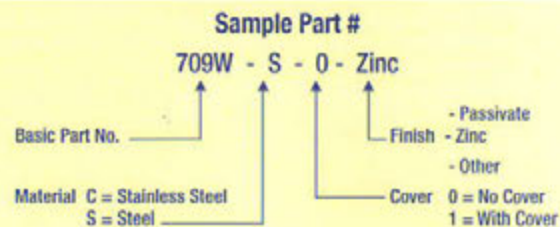
MATERIAL

C = Stainless S = Steel

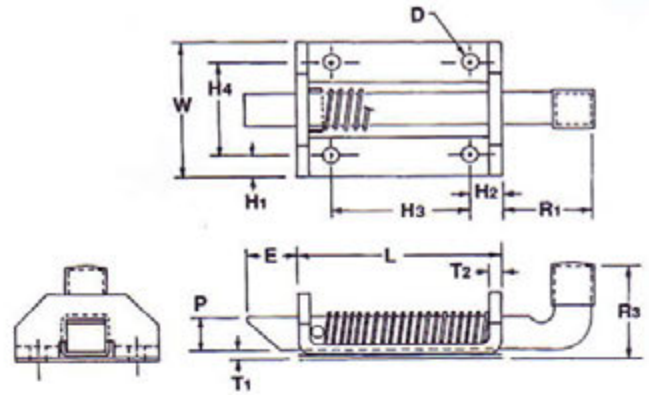
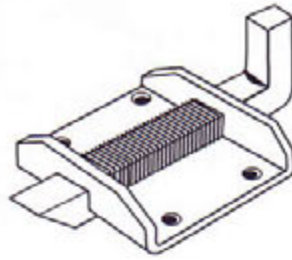
FINISH

Most commercial finishes are available, including zinc on steel, passivate and electropolishing on stainless steel.

ORDERING INFORMATION



Slam Latch - Wide Body Series 708W



This rugged slam latch is ideal for applications that require a quick and effortless locking mechanism, such as truck and trailer doors, drawers and tailgates, as well as medical and farm equipment.

To engage simply "slam" the door shut. The spring-loaded pin is square with an angled edge that smoothly retracts as it engages with the keeper and then extends back into place in a locked position. To release, grip the handle and pull back.

Special forms, offsets, hole sizes or welding projections are available to your specifications.

*Designated dimensions can be altered to meet your specifications.

PIN

P	Pin Size	.437
* E	Extension	.750
R1	Handle Length	1.00
R3	Handle Extension	1.25

BODY

L	Length	2.00
* W	Width	2.19
T1	Thickness	.125
T2	Thickness	.125
* H1	Hole Location	.250
* H2	Hole Location	.38
H3	Hole Location	1.250
H4	Hole Location	1.687
* D	Hole Diameter	.205

MATERIAL

C = Stainless S = Steel

FINISH

Most commercial finishes are available, including zinc on steel, passivate and electropolishing on stainless steel.

ORDERING INFORMATION

