

# PROTEX®

Over-center draw latches

HUGE  
RANGE IN  
STOCK

ENTIRE  
RANGE  
ONLINE

VIEW  
PRICES  
ONLINE

LOAD  
15000LBS  
RATED

LOAD  
5500LBS  
RATED

[www.PROTEX.com](http://www.PROTEX.com)



For sales, quotes or more information contact Terry Barber  
(314) 436-0080 • fax (314) 436-0481 • email: [terry.barber@protex.com](mailto:terry.barber@protex.com)

**FASTENER**

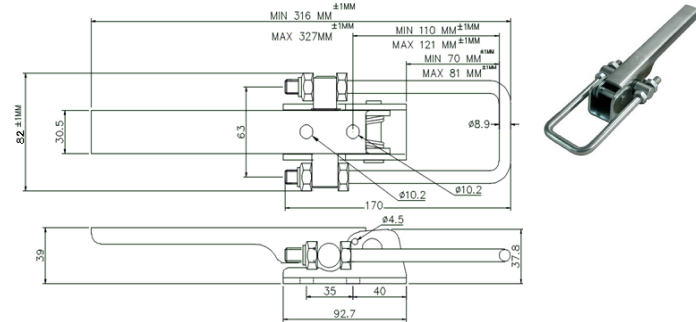
SUPER HEAVY DUTY ADJUSTABLE

SPECIFICATIONS

MATERIAL	FINISH	HOLE DIA	WEIGHT	PADLOCKABLE	SAFETY	ADJUSTMENT*	KEYLOCK	STRENGTH/ UTS**
MILD STEEL	ZINC PLATE PASSIVATE (SILVER BLUE)	10.2 MM	0.9211 KG	No	No	11 MM	No	7000 KG

\*ADJUSTMENT – Provided by threaded claw or eyebolt. Adjustment allows for fitting tolerance and tension adjustment.

\*\*STRENGTH/ UTS - The figures for the ultimate tensile strength (UTS) have been determined by tensile tests in a normal working load direction on standard products and do not include any safety factors. A maximum load rate of 30mm per minute was applied throughout the tests. The UTS figures are shown in Kilograms and for a safe working load we suggest that approximately half of the ultimate strength figure is used.



**FASTENER**

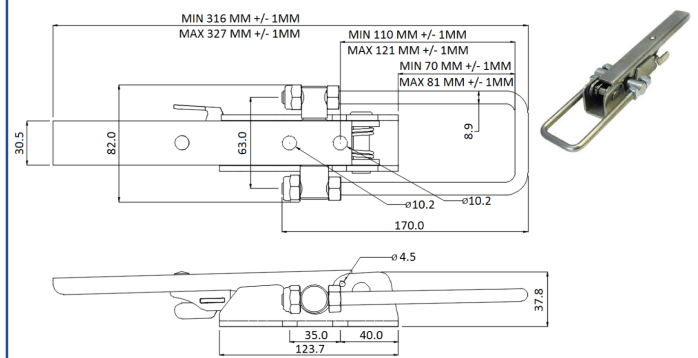
SUPER HEAVY DUTY ADJUSTABLE

SPECIFICATIONS

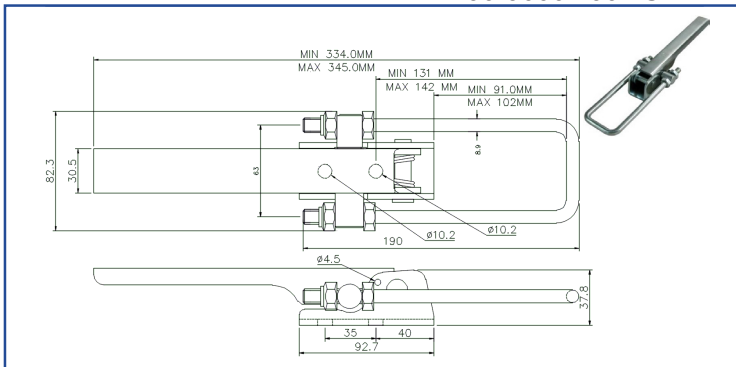
MATERIAL	FINISH	HOLE DIA	WEIGHT	PADLOCKABLE	SAFETY	ADJUSTMENT*	KEYLOCK	STRENGTH/ UTS**
MILD STEEL	ZINC PLATE PASSIVATE (SILVER BLUE)	10.2 MM	1.0705 KG	No	Yes	11 MM	No	7000 KG

\*ADJUSTMENT – Provided by threaded claw or eyebolt. Adjustment allows for fitting tolerance and tension adjustment.

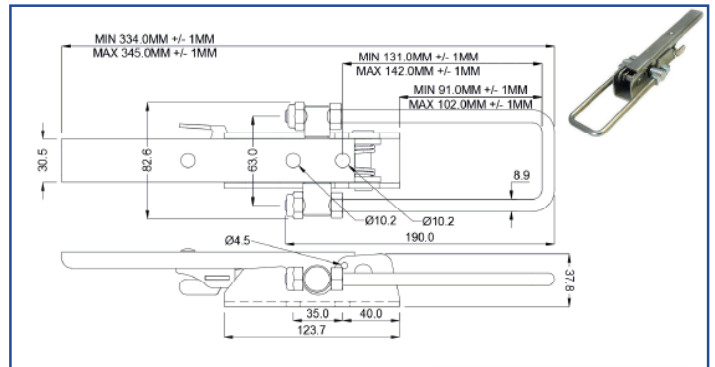
\*\*STRENGTH/ UTS - The figures for the ultimate tensile strength (UTS) have been determined by tensile tests in a normal working load direction on standard products and do not include any safety factors. A maximum load rate of 30mm per minute was applied throughout the tests. The UTS figures are shown in Kilograms and for a safe working load we suggest that approximately half of the ultimate strength figure is used.



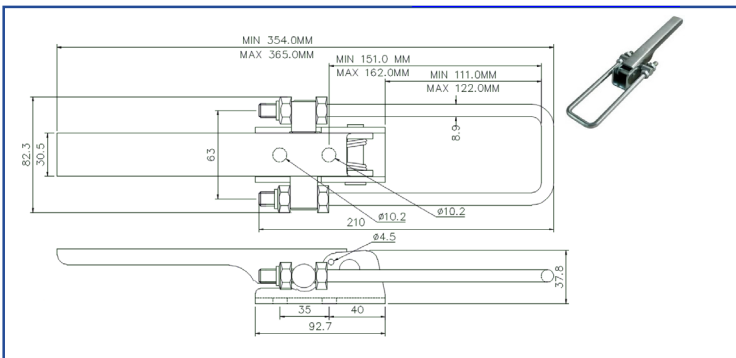
490-9000/190MSZN



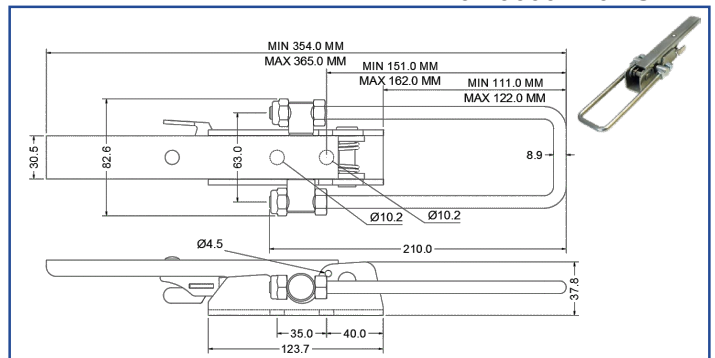
494-9000/190MSZN



490-9000/210MSZN



494-9000/210MSZN

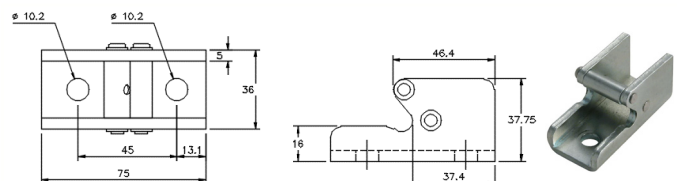


04-9000MSZN

**CATCH PLATE**

SPECIFICATIONS

MATERIAL	FINISH	HOLE DIA	WEIGHT	PADLOCKABLE	SAFETY	STRENGTH/ UTS**
MILD STEEL	ZINC PLATE PASSIVATE (SILVER BLUE)	10.20 MM	0.2536 KG	No	No	7000 KG



**For sales, quotes or more information contact Terry Barber  
(314) 436-0080 • fax (314) 436-0481 • email: terry.barber@protex.com**