

PROTEX[®]

Over-center draw latches

HUGE
RANGE IN
STOCK

ENTIRE
RANGE
ONLINE

VIEW
PRICES
ONLINE

LOAD
15000LBS
RATED

LOAD
5500LBS
RATED

www.PROTEX.com



For sales, quotes or more information contact Terry Barber

(314) 436-0432

email: terry.barber@protex.com

FASTENER

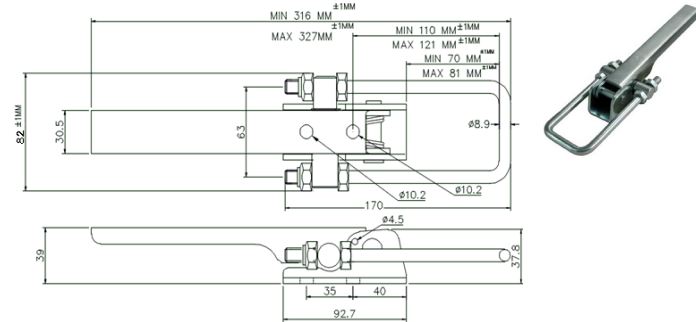
SUPER HEAVY DUTY ADJUSTABLE

SPECIFICATIONS

MATERIAL	FINISH	HOLE DIA	WEIGHT	PADLOCKABLE	SAFETY	ADJUSTMENT*	KEYLOCK	STRENGTH/ UTS**
MILD STEEL	ZINC PLATE PASSIVATE (SILVER BLUE)	10.2 MM	0.9211 KG	No	No	11 MM	No	7000 KG

*ADJUSTMENT - Provided by threaded claw or eyebolt. Adjustment allows for fitting tolerance and tension adjustment.

**STRENGTH / UTS - The figures for the ultimate tensile strength (UTS) have been determined by tensile tests in a normal working load direction on standard products and do not include any safety factors. A maximum load rate of 30mm per minute was applied throughout the tests. The UTS figures are shown in Kilograms and for a safe working load we suggest that approximately half of the ultimate strength figure is used.



FASTENER

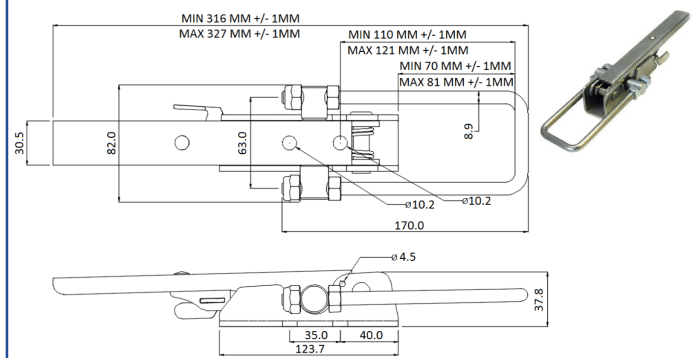
SUPER HEAVY DUTY ADJUSTABLE

SPECIFICATIONS

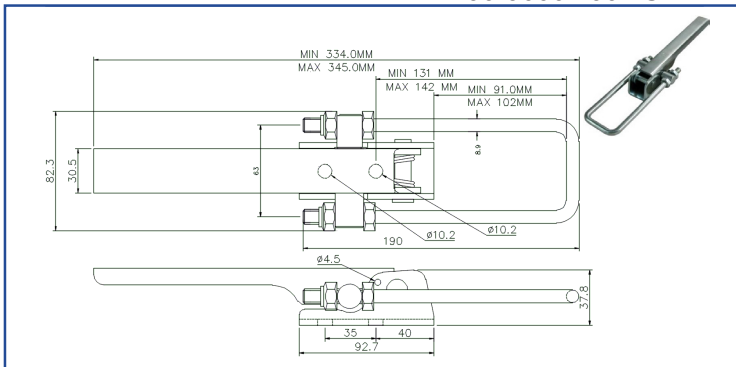
MATERIAL	FINISH	HOLE DIA	WEIGHT	PADLOCKABLE	SAFETY	ADJUSTMENT*	KEYLOCK	STRENGTH/ UTS**
MILD STEEL	ZINC PLATE PASSIVATE (SILVER BLUE)	10.2 MM	1.0705 KG	No	Yes	11 MM	No	7000 KG

*ADJUSTMENT - Provided by threaded claw or eyebolt. Adjustment allows for fitting tolerance and tension adjustment.

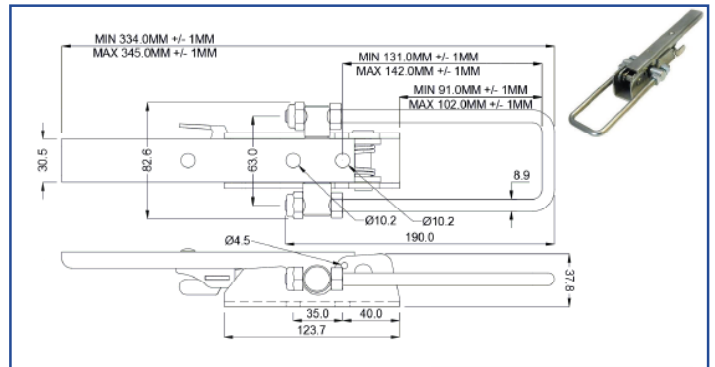
**STRENGTH / UTS - The figures for the ultimate tensile strength (UTS) have been determined by tensile tests in a normal working load direction on standard products and do not include any safety factors. A maximum load rate of 30mm per minute was applied throughout the tests. The UTS figures are shown in Kilograms and for a safe working load we suggest that approximately half of the ultimate strength figure is used.



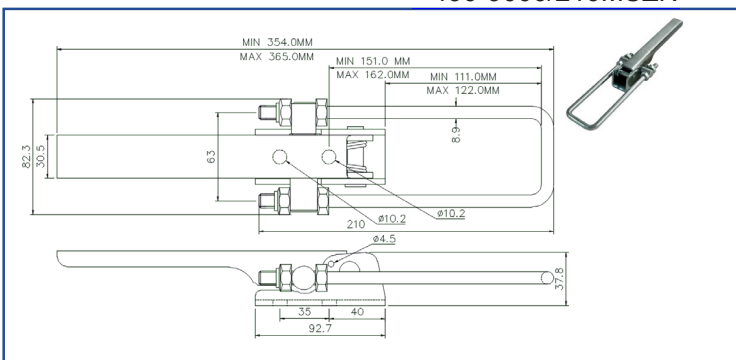
490-9000/190MSZN



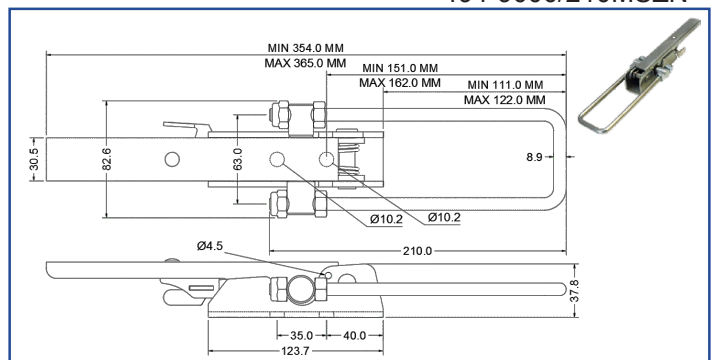
494-9000/190MSZN



490-9000/210MSZN



494-9000/210MSZN



CATCH PLATE

SPECIFICATIONS

MATERIAL	FINISH	HOLE DIA	WEIGHT	PADLOCKABLE	SAFETY	STRENGTH/ UTS**
MILD STEEL	ZINC PLATE PASSIVATE (SILVER BLUE)	10.20 MM	0.2536 KG	No	No	7000 KG

